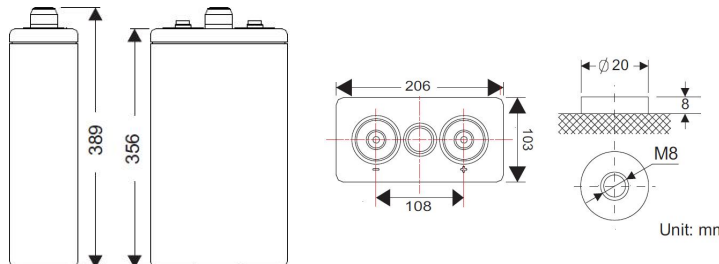



PHYSICAL SPECIFICATION

Nominal Voltage		2V	
Nominal Capacity (10HR)		250Ah	
Dimension	Length	124±2mm	(4.88 inches)
	Width	206±2mm	(8.11 inches)
	Container Height	356±2mm	(14.05 inches)
	Total Height	389±2mm	(15.31 inches)
Weight		Approx. 23.0 Kg (50.7lbs)	
Standard Terminal		Bolt-and-nuts terminal Bolt Type: M8	

ELECTRICAL SPECIFICATION

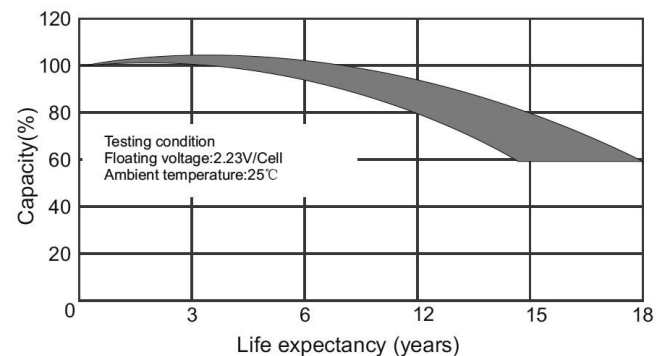
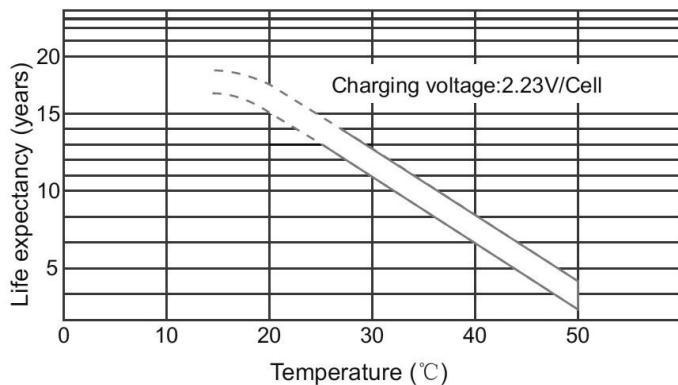
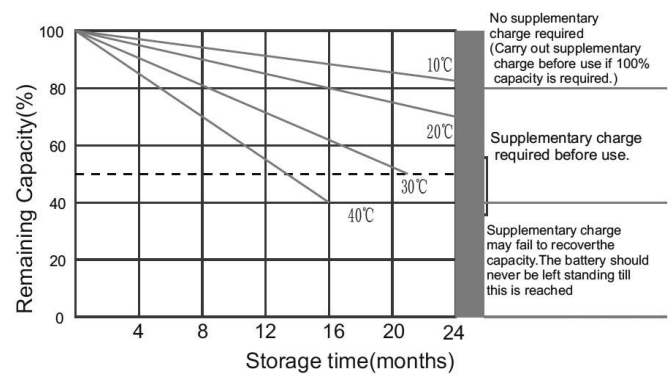
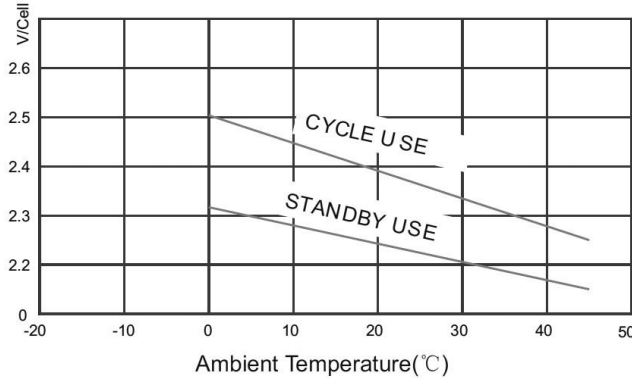
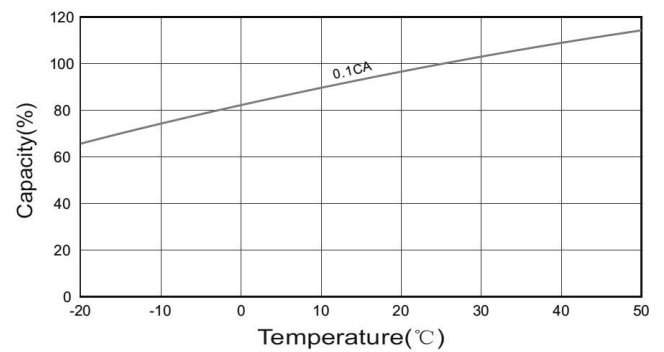
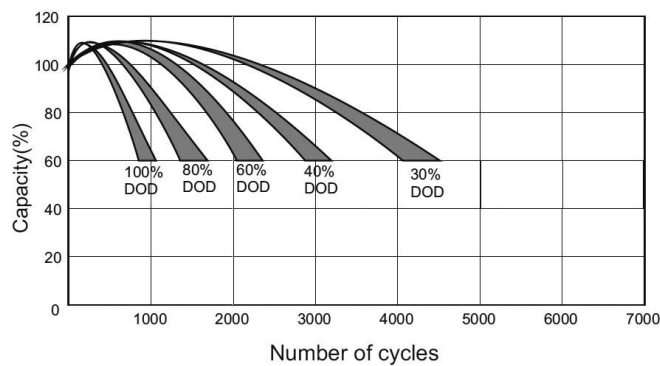
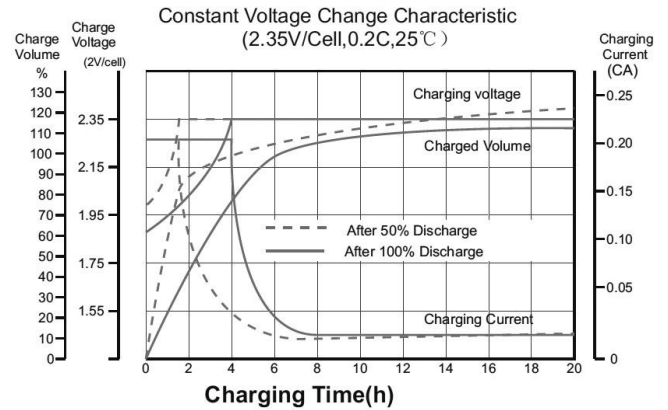
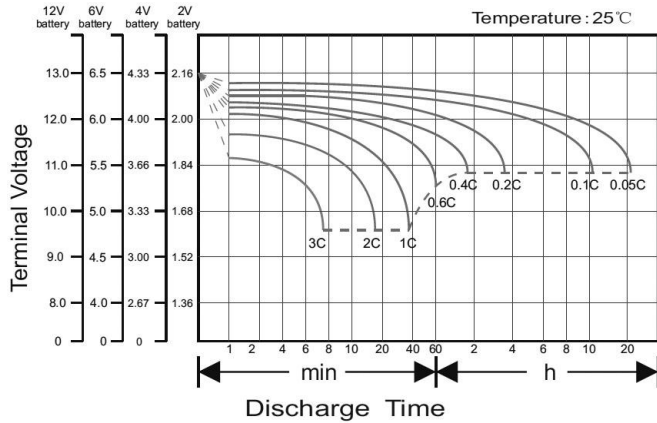
Characteristics			Main Advantages
Capacity	10 hour rate (25A to 1.80V/cell) 5 hour rate (45.6A to 1.70V/cell) 3 hour rate (65A to 1.70V/cell) 1hour rate (150A to 1.60V/cell)	250Ah 228Ah 195Ah 150Ah	<ul style="list-style-type: none"> >> adopt tubular plate with GEL technology >> longest lifespan under deep discharge >> Strong temperature resistance performance >> Better charge reception capability >> 20 years design life
Operating Temp. Range	Discharge : -40°C~55°C Charge : -15°C~50°C Storage : -20°C~40°C		
Max. Discharge Current	1500A(5sec)		
Short Circuit Current	2750A		
Designed life	20 years (floating) at 25°C (77 °F)		
Internal Resistance	Full charged battery (25°C, 77 °F) 0.725mΩ		
Constant Voltage Charge	Cycle	Initial Charging Current less than ≤62.5A Voltage: 2.35~2.40V at 25°C (77 °F) Temperature Coefficient -5mV/°C	
	Standby	No limit on Initial Charging Current Voltage: 2.23V at 25°C (77 °F) Temperature Coefficient -3mV/°C	

CONSTANT CURRENT DISCHARGE RATING A@25°C

F.V/TIME	15min	30min	1h	2h	3h	4h	5h	8h	10h
1.60V	263	206	150	94	68	54	45.6	32.4	26.5
1.65V	248	196	141	91	66	53	45.1	32.1	26.4
1.70V	234	188	139	89	65	52	44.5	31.8	26.3
1.75V	219	178	130	86	64	51	43.8	31.1	25.9
1.80V	204	166	124	84	63	50	42.8	30.4	25.0

CONSTANT POWER DISCHARGE RATING WATT PER CELL@25°C

F.V/TIME	15min	30min	1h	2h	3h	4h	5h	8h	10h
1.60V	453	363	274	175	128	102	86.6	61.9	50.8
1.65V	433	344	258	171	126	101	85.9	61.5	50.6
1.70V	409	330	254	168	124	100	85.0	61.0	50.5
1.75V	386	316	243	164	122	98	83.9	60.0	50.0
1.80V	365	304	233	160	120	96	82.3	58.6	48.6



(Note) All above information shall be changed without prior notice, Shimastu reserves the right to explain and update the latest information.